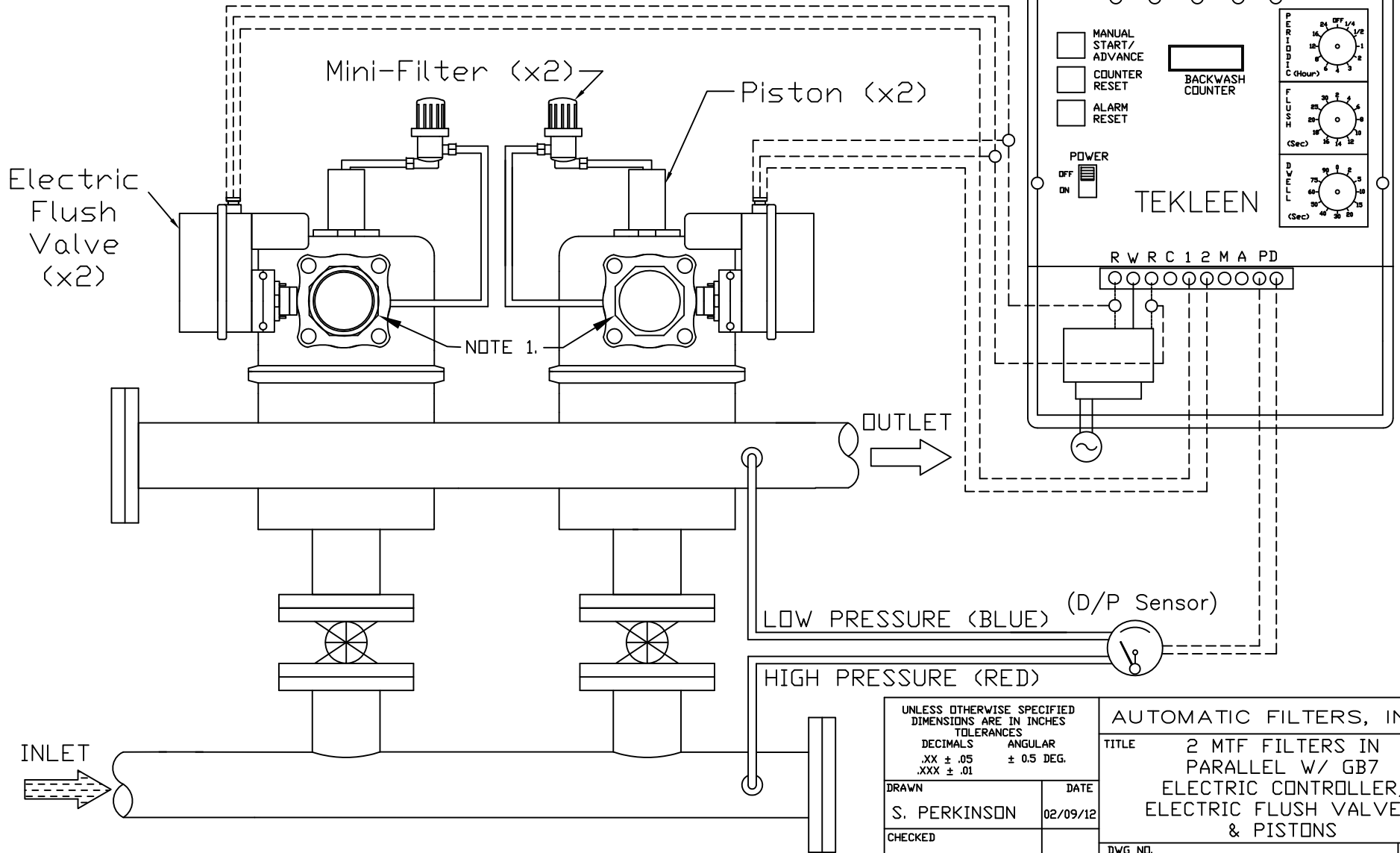


REVISIONS				
REV	ZONE	DESCRIPTION	DATE	APPROVED
1	1A	ADDED NOTE 1 REGARDING UNION.	06/27/13	S.P.

Valve #1 Connections:
 Red: R+ (Left)
 Black: R (Right)
 White: 1

Valve #2 Connections:
 Red: R+ (Left)
 Black: R (Right)
 White: 2

GB7 ELECTRIC CONTROLLER



NOTES:
 1. IT IS RECOMMENDED THAT A UNION BE INSTALLED BETWEEN THE FLUSH VALVE AND FLUSH LINE FOR EASE OF MAINTENANCE.

UNLESS OTHERWISE SPECIFIED DIMENSIONS ARE IN INCHES TOLERANCES		AUTOMATIC FILTERS, INC.	
DECIMALS .XX ± .05 .XXX ± .01		TITLE 2 MTF FILTERS IN PARALLEL W/ GB7 ELECTRIC CONTROLLER, ELECTRIC FLUSH VALVES, & PISTONS	
DRAWN S. PERKINSON	DATE 02/09/12	DWG NO. WIRE-2MTFGB7-LAY-01	REV 1
CHECKED		NOT TO SCALE	
DESIGN FOR:		SHEET 1 OF 1	